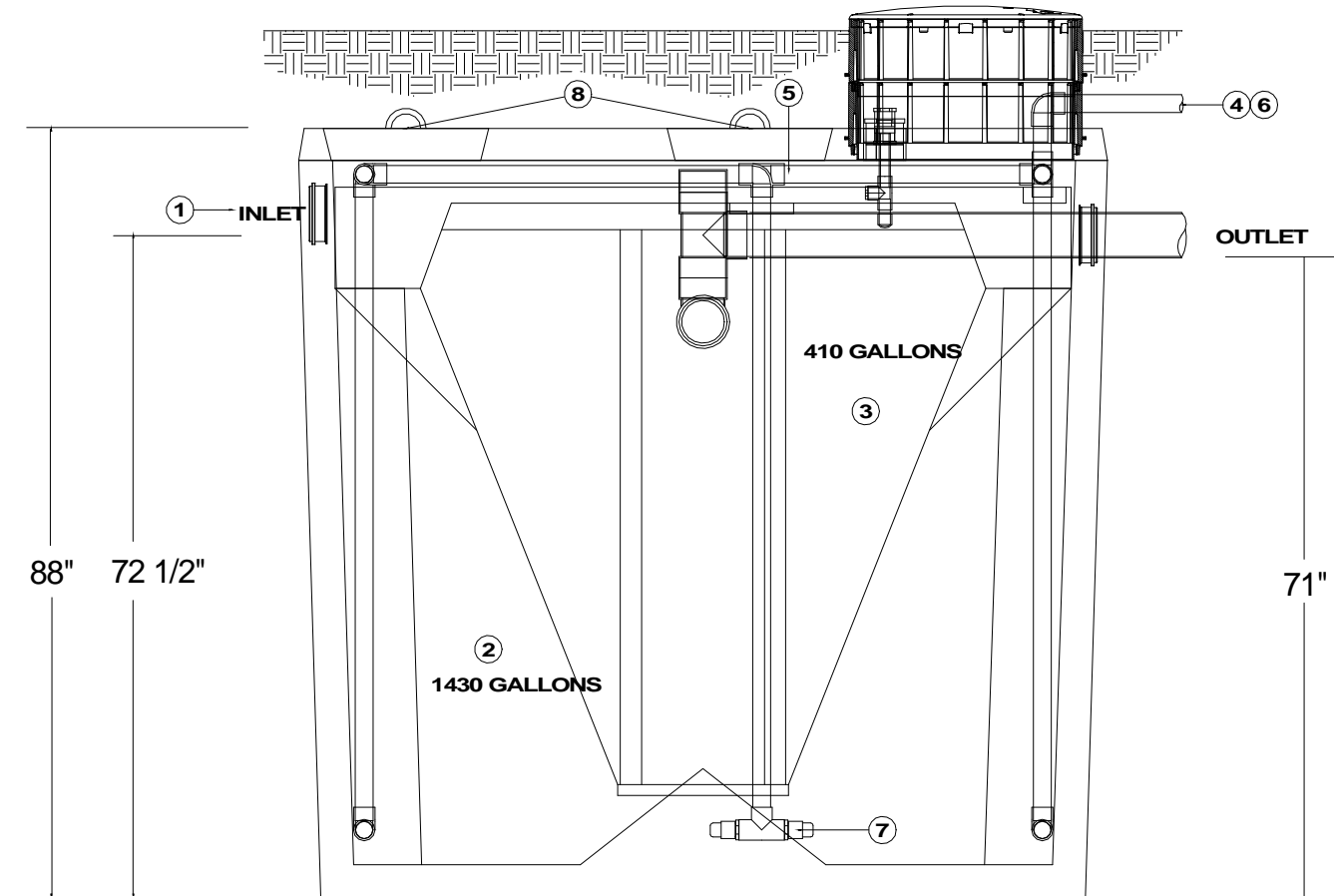


REVISIONS	DESCRIPTION	DATE

DIMENSIONS	
A	
B	
C	
D	
E	
F	
G	
H	



THE HOOT AEROBIC TREATMENT SYSTEM
1) SEPERATE PRETREATMENT TANK REQUIRED (MIN. 800 GALLONS)- WHERE ANAEROBIC DIGESTION OCCURS AND STORAGE FOR NON-BIODEGRADABLE MATERIALS.
2) AERATION CHAMBER- WHERE AIR IS INTRODUCED INTO SEWAGE FOR DIGESTION.
3) CLARIFIER- A STILL CHAMBER WHERE SOLIDS SETTLE OUT AND THE CLEAR EFFLUENT RISES.
4) TROY AIR LINEAR AIR BLOWER- LONG LIFE, EFFICIENT LINEAR BLOWER WHICH COMPRESSES ATMOSPHERIC AIR AND UNDER PRESSURE DELIVERS IT TO THE TANK.
5) AIR MANIFOLD- DELIVERS THE AIR FROM THE LINE TO THE STONES FOR DIFFUSION INTO THE SEWAGE.
6) AERATION LINE- DELIVERS THE AIR FROM THE PUMP TO THE MANIFOLD. CHECK VALVE INCLUDED.
7) AERATION STONE- AIR IS FINELY DIFFUSED FROM THE STONE INTO THE AERATION CHAMBER.
8) 15" COVERS- PROVIDE ACCESS TO EACH COMPONENT OF THE SYSTEM FOR SERVICE. ARE BROUGHT TO GRADE IF REQUIRED PER LOCAL CODE.

SIDE ELEVATION

HOOT SYSTEMS, LLC
www.hootsystems.com

THIS DRAWING IS THE PROPRIETARY PROPERTY OF HOOT SYSTEMS, LLC. REPRODUCTION, DISCLOSURE OR USE OF ANY PART OF THIS DRAWING OR ANY INFORMATION THEREIN IS EXPRESSLY PROHIBITED WITHOUT PRIOR WRITTEN CONSENT OF HOOT SYSTEMS, LLC.

DESCRIPTION:				PART #
DATE:	DRAWN BY:	CHECK BY:	SCALE:	H1000A
Oct. 28, 2010	TLC		N.T.S.	