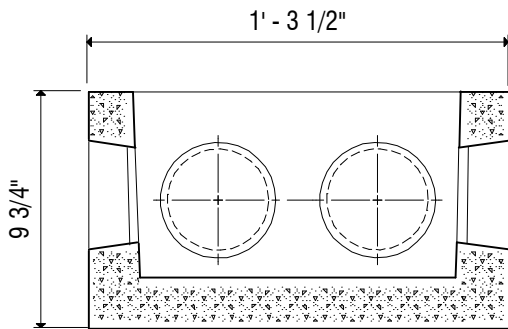
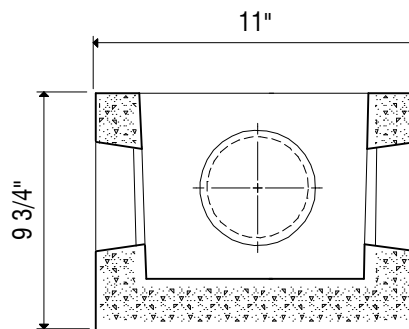


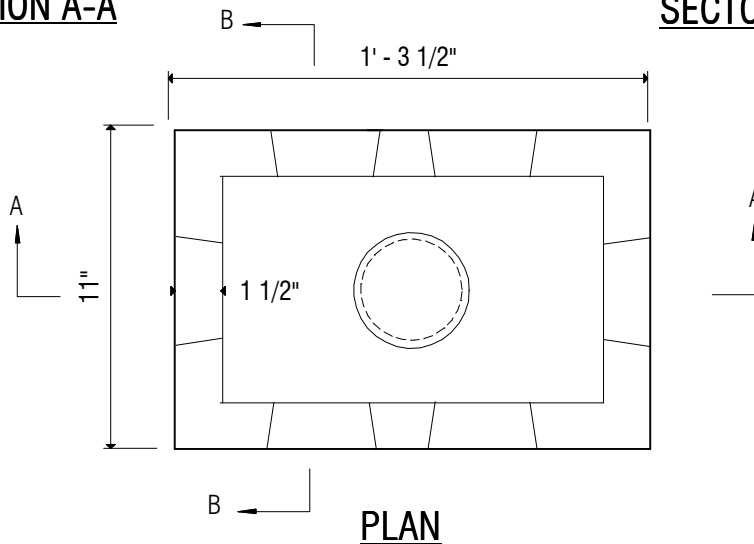
**TOP SLAB**



**SECTION A-A**



**SECTION B-B**



**PLAN**

**DESIGN DATA & GENERAL NOTES**

- [1] Concrete strength  $f_c = 4,000$  p.s.i. @ 28 days. Density = 150 pcf.
- [2] Cement - Portland Type I/II per ASTM C 150-92.
- [3] Admixtures, air, & plasticizers per ASTM C 260-86 & C 494-92.

**REINFORCING DESIGN:**

Reinforcing per ASTM A185. Min. 1-1/2" cover  
3x8 Welded Wire Mesh through out



6264 Race Road  
Elkridge, Maryland 21075  
Tel. 410.796.1434  
Fax. 410.796.1438  
[www.mayerbrosprecast.com](http://www.mayerbrosprecast.com)

**"SMALL" DISTRIBUTION BOX**  
Stock Item

Dwg. No. DBOX-SM

No Scale

August 2000