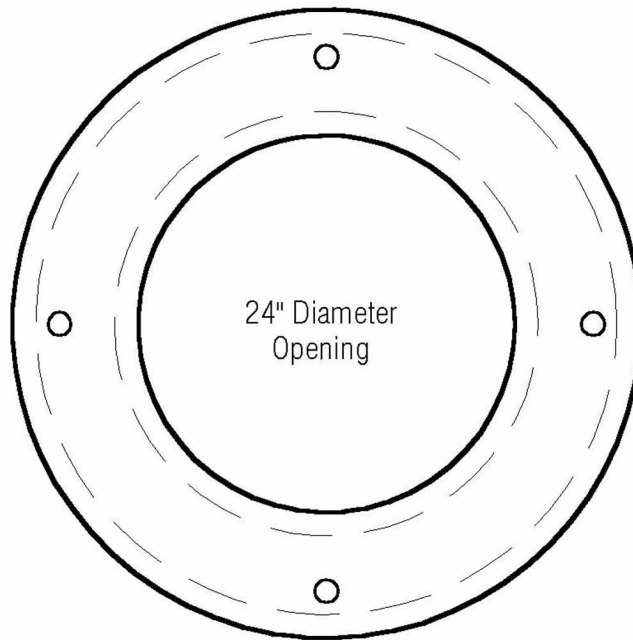


SECTION VIEW



PLAN VIEW

DESIGN DATA & GENERAL NOTES

- [1] Concrete strength $f'c=5,000$ p.s.i. @ 28 days.
- [2] Design per ASTM C-478.
- [3] Reinforcing shall be two [2] 1/4" dia. smooth round bars. Min. 1" cover.

MBI
Mayer Bros., Inc.

6264 Race Road
Elkridge, Maryland 21075
Tel. 410.796.1434
Fax. 410.796.1438
www.mayerbrosprecast.com

GRADE ADJUSTMENT RINGS
Stock Item

Approx. Wts. - 140 lbs. / 210 lbs. / 420 lbs.

Dwg. No. GAR-Atl

No Scale

January 1, 2000