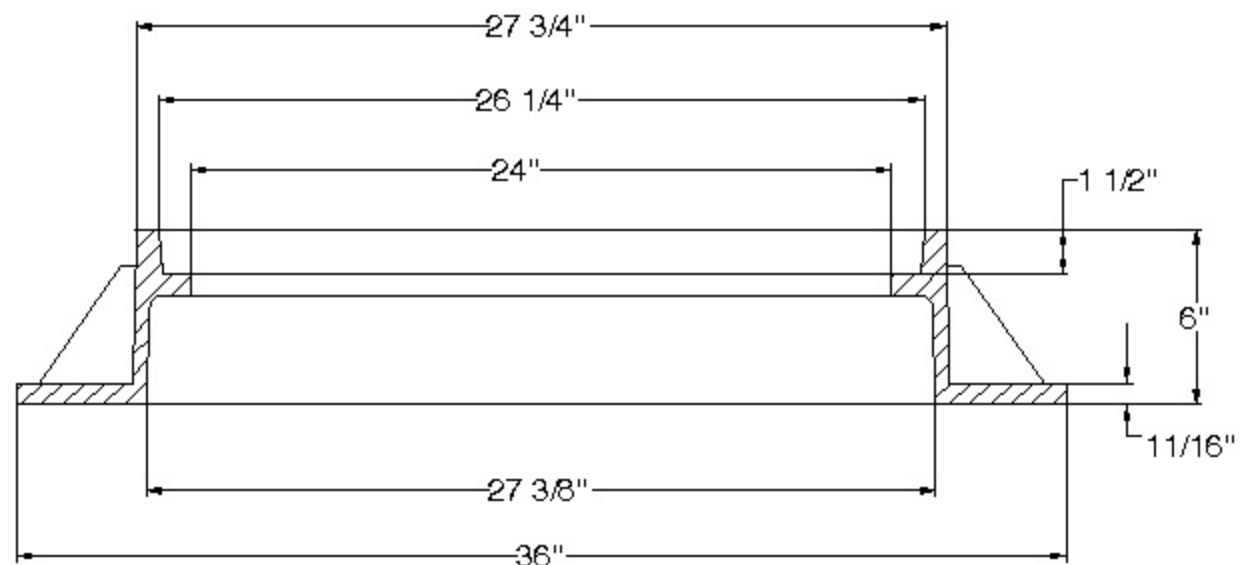
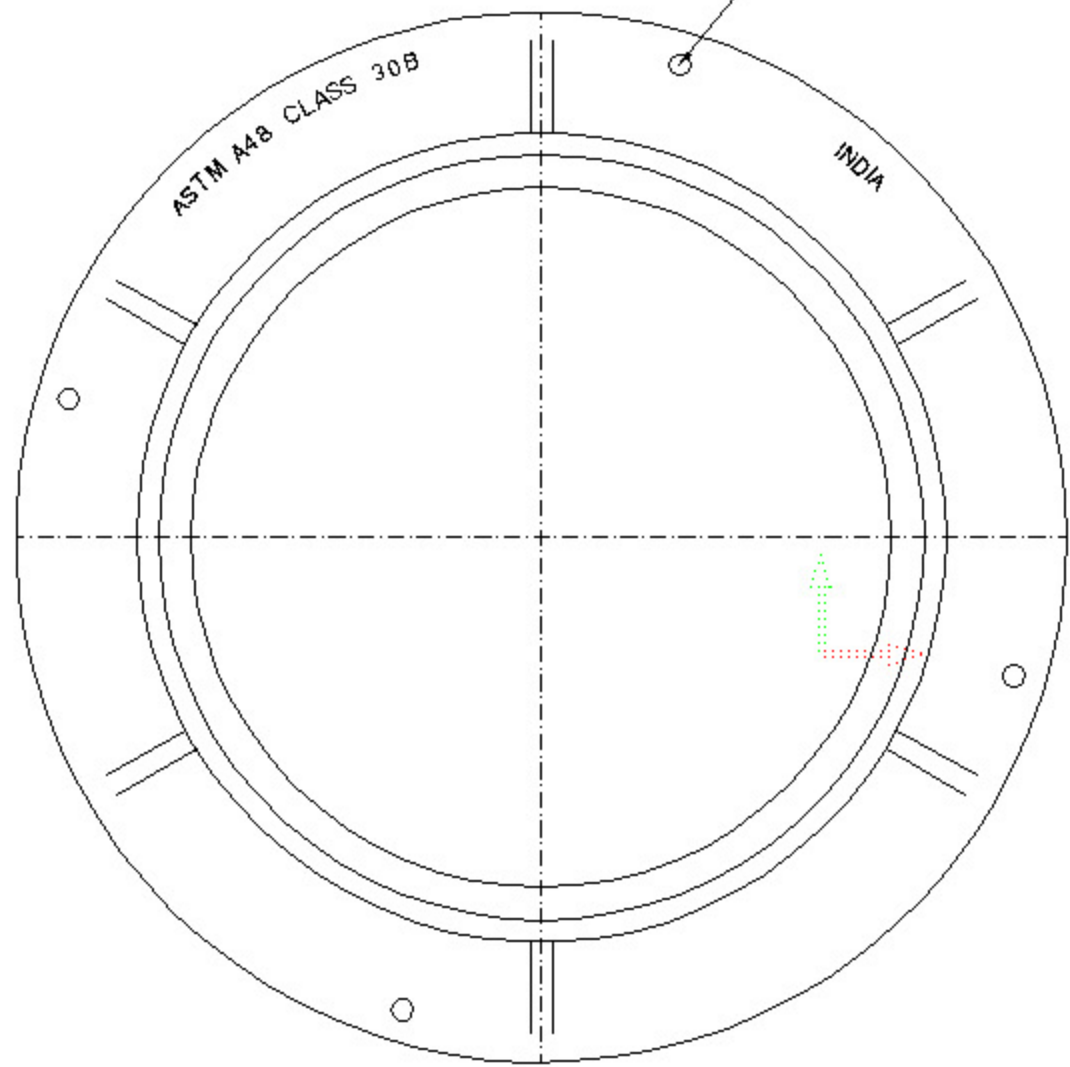
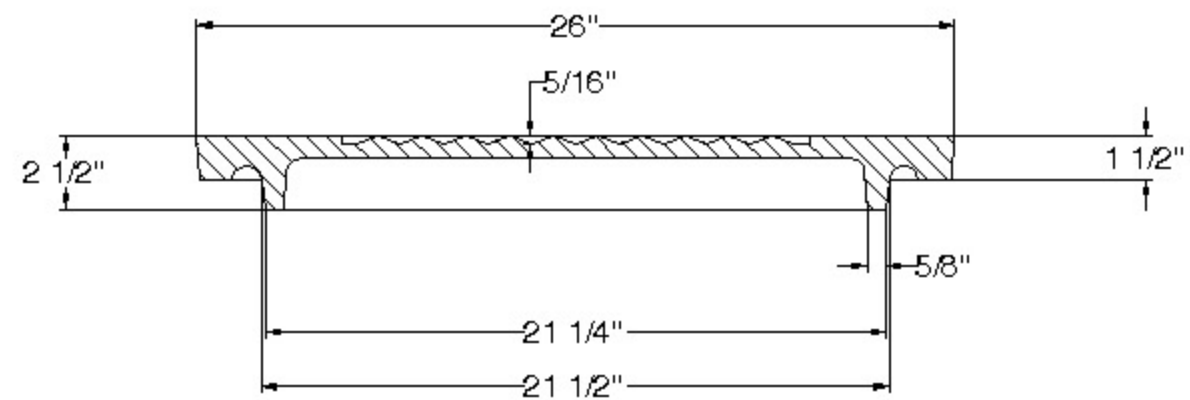
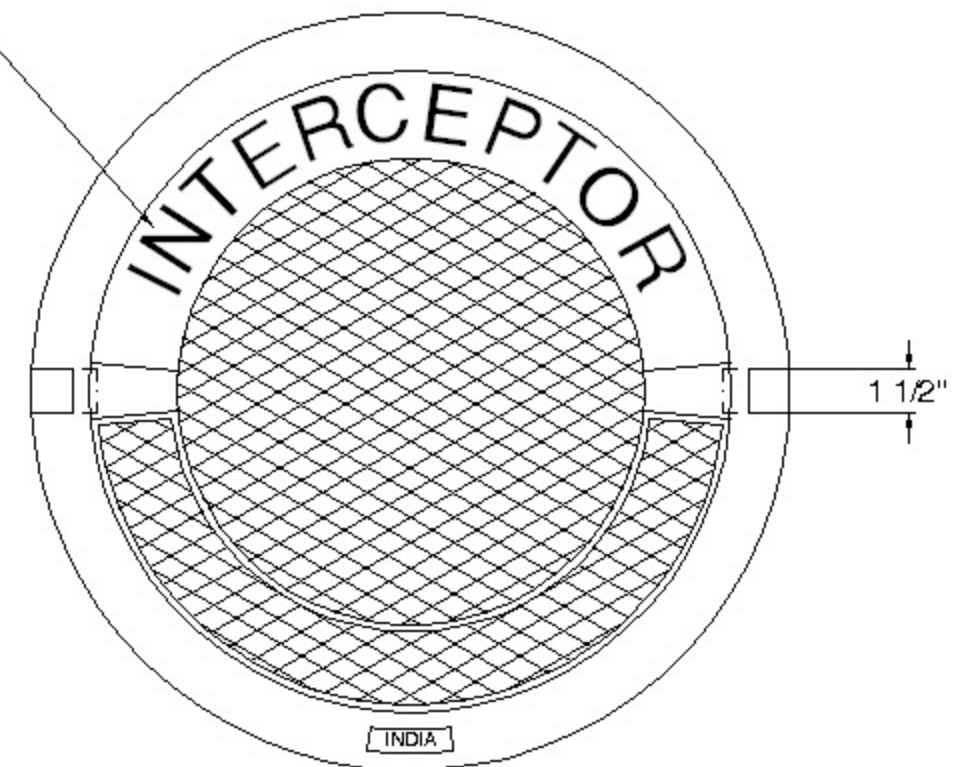


(4) 3/4" Dia Hole at 33 1/4" Bolt Circle

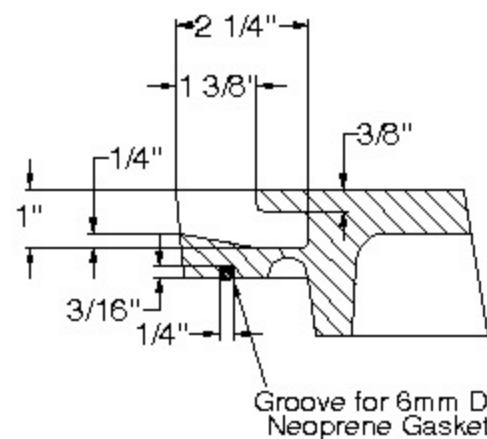


SECTION OF FRAME

2" High Letters



SECTION OF COVER



DETAIL OF PICKHOLE & GROOVE

Material: Grey Cast Iron Per ASTM A48-00 Class 30B

CHESAPEAKE FOUNDRIES, INC.		
DRG NO: INTERCEPTOR FRAME & COVER		
DRN	RK	
CKD	HHSjr	
APD	TM	
		DATE: Jan 07, 2004